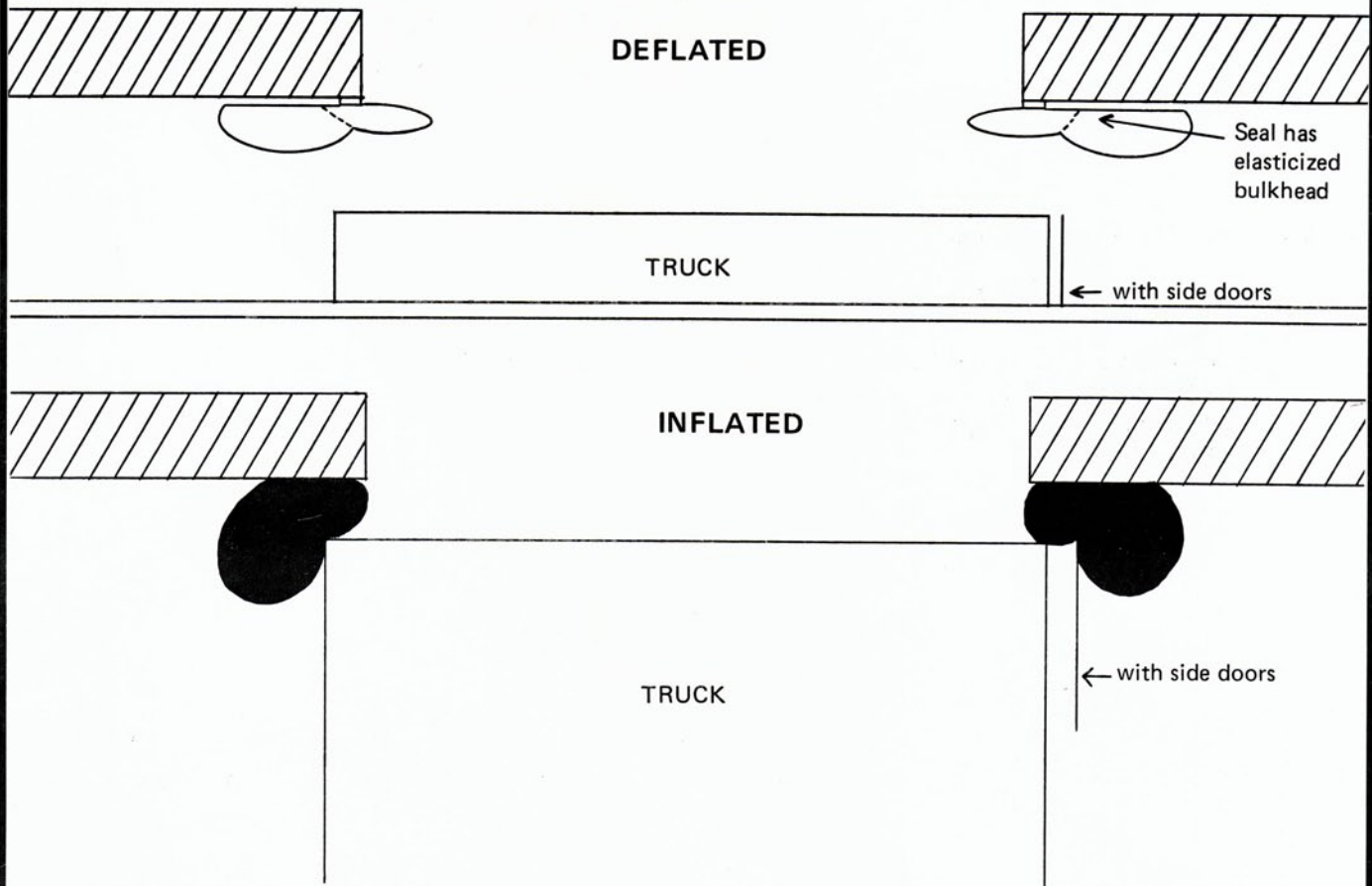


OPTIONAL HP & HVP (SEAL-ALL) SIDE LEGS



SPECIFICATIONS - OPTIONAL HP & HVP (SEAL-ALL) SIDE LEGS

Material - Standard 14 oz. per sq. yd. Neoprene Coated Nylon.

Short Form Specifications - Use alternate (Seal-All) side legs.

This specification can be added to both HP and HVP specifications as manufactured by O'Neal's Tarpaulin & Awning Co., 549 W. Indianola Avenue, Youngstown, Ohio 44511.

AIRLOCKE DOCK SEAL

Division of O'Neal Tarpaulin Co.
549 W. Indianola Ave. - Youngstown, Ohio 44511
Telephone: (330) 788-6504
FAX: (330) 788-6705

Distributed By: